

- AC or DC coils
- Push-to-test and mechanical indicator standard
- 2- and 3-pole configurations
- Easy-to-install pin socket
- UL and CSA recognized, CE marked

Relays

Replace asterisk in catalog number with appropriate coil code from Coils table.

Contacts	Options	Cat. No.	List Price, GO-10PR
Double Pole, Double Throw	Manual Operator	CR420KPM022*	\$10.00
	Manual Operator with LED Indicator	CR420KPC022*	14.00
Three Pole, Double Throw	Manual Operator	CR420KPM033*	12.00
	Manual Operator with LED Indicator	CR420KPC033*	16.00

Coils

Replace asterisk in relay catalog number with appropriate coil code digit. (Stock items shown in shaded rows.)

Voltage	Nominal Voltage	Coil Resistance (Ohms)	Nominal Current, mA		Coil Code
			50 Hz	60 Hz	
AC	6	5.3	404	360	A
	12	21.5	202	180	B
	24	91	98	88	C
	120	1620	2407	21	J
	240	7100	1209	11	N
DC	12	95	126	126	2
	24	430	56	56	4
	48	1630	29.5	29.5	7
	110	6800	16.2	16.2	9

Accessories

Accessory	Cat. No.	List Price, GO-10PR
DPDT Socket for Panel/DIN Rail Mount	CR420KA2	\$5.00
3PDT Socket for Panel/DIN Rail Mount	CR420KA3	7.00
DPDT Euro (IP20) Socket for DIN Rail Mount	CR420KA21	8.00
3PDT Euro (IP20) Socket for DIN Rail Mount	CR420KA31	10.00
Hold-down Clip	CR420KAS	2.25

Contact factory regarding versions not shown here.

Contact Data

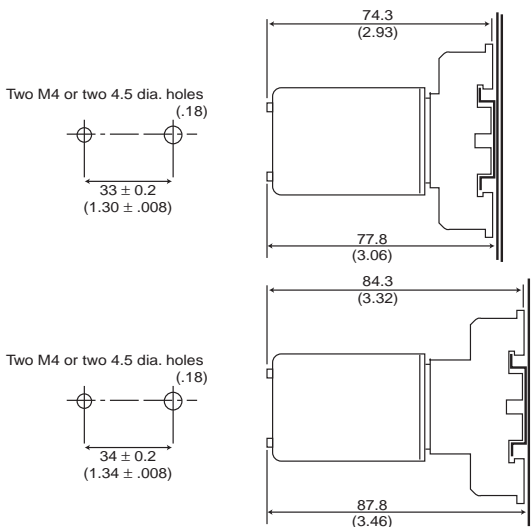
Ratings	DPDT 3PDT	10A res. @ 250VAC, 24VDC
		7A Ind. (p.f.=0.4), 250VAC
		1/2 HP @ 240VAC, 1/3 HP @ 120VAC
Material		Ag
Maximum Contact Voltage		220VAC, 110VDC
Carry Current		10A
Life	Electrical	100,000 Operations
	Mechanical	10,000,000 Operations
Minimum Permissible Load		10mA @ 1VDC

Coil Data @ 20°C

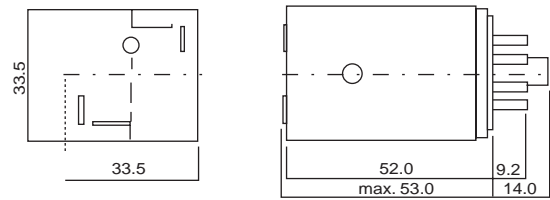
Power Consumption	AC	2.3VA @ 50/60 Hz
	DC	1.5W
Pick-Up Voltage		80% Nominal Maximum
Drop-Out Voltage	AC	30% Nominal Minimum
	DC	10% Nominal Minimum
Maximum Voltage		110% Nominal Maximum

General

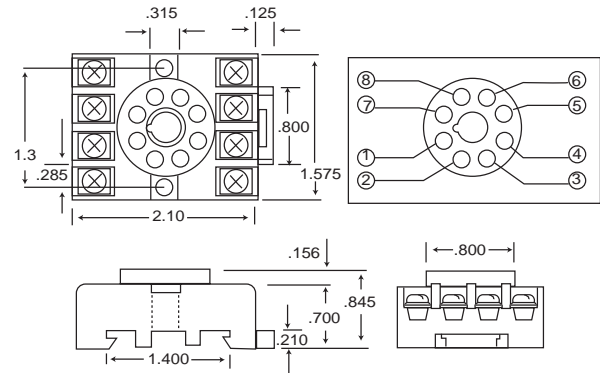
Contact Resistance		100mΩ Maximum
Operate Time		25mS Maximum
Release Time		25mS Maximum
Insulation Resistance		100mΩ Minimum @ 500VDC
Switching Rate	Electrical	30 Operations/Minute
	Mechanical	240 Operations/Minute
Dielectric Strength	Between Coil & Contacts	1500VAC @ 50/60 Hz
	Between Contacts	1000VAC @ 50/60 Hz
Vibration	Mechanical	100G Minimum
	Malfunction	10G Minimum
Temperature Range		-10° to 40°C
Humidity		35 - 85% RH
Weight		Approx. 85 Grams



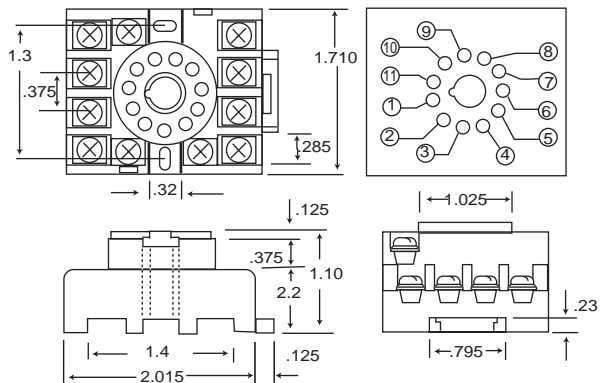
Dimensions



CR420KA2



CR420KA3

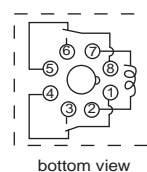


10A@300V

* Note: IP20 versions same footprint dimensions

Connections

DPDT



3PDT

