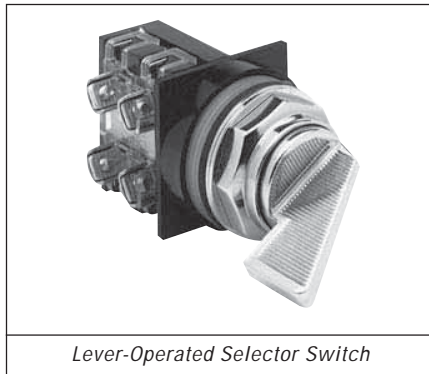


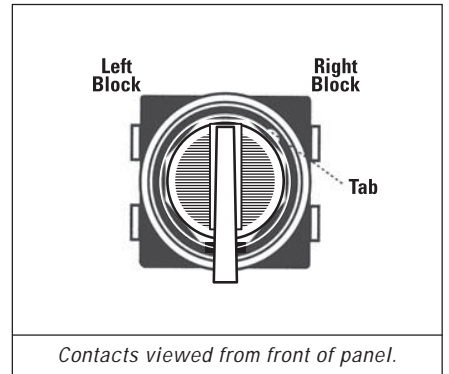
CR104P

Lever Operated
Non-Illuminated
600 Volts Max. AC/DC
10 Amperes Continuous

Units are supplied factory-assembled when ordered with contact block.
Product Number and price do not include nameplate. All nameplates must be ordered as a separate item. Suitable for use in NEMA Type 1, 3, 3R, 4, 4X, 12, and 13 applications, when mounted in enclosures rated for those same applications. For some NEMA Type 4X applications, protective caps will improve corrosion resistance.



Lever-Operated Selector Switch



Contacts viewed from front of panel.

2-Position Chrome¹

GO-10P1

Release Type	2 Position Cam Code	Contact Configuration	Product Number ¹	List Price
Maintained	1	None	CR104PSM21	\$22.20
Maintained	1	1NO-1NC	CR104PSM21A91	\$40.20
Maintained	1	2NO-2NC	CR104PSM21A92	\$58.20
Spring Return L » C	2	None	CR104PSM12	\$34.20
Spring Return L » C	2	1NO-1NC	CR104PSM12A91	\$52.20
Spring Return L » C	2	2NO-2NC	CR104PSM12A92	\$70.20
Spring Return R » C	3	None	CR104PSM63	\$34.20
Spring Return R » C	3	1NO-1NC	CR104PSM63A91	\$52.20
Spring Return R » C	3	2NO-2NC	CR104PSM63A92	\$70.20

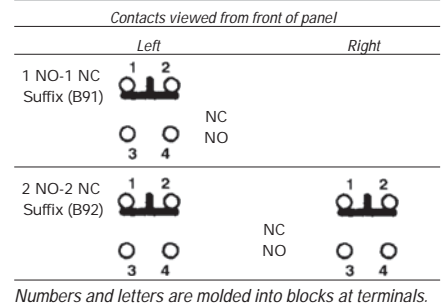
¹To order black wing lever, replace "A" in Product Number with "B" before 91 or 92 contact digits. Example: the Product Number for a maintained, 1NO-1NC operator with black wing lever is CR104PSM21B91.

2-Position Selector Switches - Non-Illuminated

Operator Position	Cam #1		Cam #2		Cam #3	
	Type of Contact Block	Mounting Location Left/Right	Type of Contact Block	Mounting Location Left/Right	Type of Contact Block	Mounting Location Left/Right
O - X	NO	L or R	-	-	-	-
X - O	NC	L or R	-	-	-	-
X O -	-	-	NO	L or R	-	-
O X -	-	-	NC	L or R	-	-
- O X	-	-	-	-	NO	L or R
- X O	-	-	-	-	NC	L or R

- : This position is nonexistent or is a "pass through".
In the product number of a selector switch, the cam is identified by the fifth figure after the "104".
Example: CR104PSG2 1 B, the cam number is 1.

Schematic Diagrams - Factory Forms



Numbers and letters are molded into blocks at terminals.

3-Position Chrome¹ - Maintained

GO-10P1

Release Type	3 Position Cam Code	Contact Configuration	Product Number ¹	List Price
Maintained	4	None	CR104PSM34	\$22.20
Maintained	4	1NO-1NC	CR104PSM34A91	\$40.20
Maintained	4	2NO-2NC	CR104PSM34A92	\$58.20
Maintained	2	None	CR104PSM32	\$22.20
Maintained	2	1NO-1NC	CR104PSM32A91	\$40.20
Maintained	2	2NO-2NC	CR104PSM32A92	\$58.20
Maintained	3	None	CR104PSM33	\$22.20
Maintained	3	1NO-1NC	CR104PSM33A91	\$40.20
Maintained	3	2NO-2NC	CR104PSM33A92	\$58.20
Maintained	5	None	CR104PSM35	\$22.20
Maintained	5	2NO-2NC	CR104PSM35A92	\$58.20
Maintained	6	None	CR104PSM36	\$22.20
Maintained	6	2NO-2NC	CR104PSM36A92	\$58.20

3-Position Chrome¹ - Spring Return L » C

GO-10P1

Release Type	3 Position Cam Code	Contact Configuration	Product Number ¹	List Price
Spring Return L » C	4	None	CR104PSM74	\$34.20
Spring Return L » C	4	1NO-1NC	CR104PSM74A91	\$52.20
Spring Return L » C	4	2NO-2NC	CR104PSM74A92	\$70.20
Spring Return L » C	2	None	CR104PSM72	\$34.20
Spring Return L » C	2	1NO-1NC	CR104PSM72A91	\$52.20
Spring Return L » C	2	2NO-2NC	CR104PSM72A92	\$70.20
Spring Return L » C	3	None	CR104PSM73	\$34.20
Spring Return L » C	3	1NO-1NC	CR104PSM73A91	\$52.20
Spring Return L » C	3	2NO-2NC	CR104PSM73A92	\$70.20
Spring Return L » C	5	None	CR104PSM75	\$34.20
Spring Return L » C	5	2NO-2NC	CR104PSM75A92	\$70.20
Spring Return L » C	6	None	CR104PSM76	\$34.20
Spring Return L » C	6	2NO-2NC	CR104PSM76A92	\$70.20

¹To order black wing lever, replace "A" in Product Number with "B" before 91 or 92 contact digits. Example: the Product Number for a maintained, 1NO-1NC operator with black wing lever is CR104PSM32B91.

3-Position Selector Switches - Non-Illuminated

Operator Position	Cam #4		Cam #2		Cam #3		Cam #5		Cam #6	
	Type of Contact Block	Mounting Location Left/Right	Type of Contact Block	Mounting Location Left/Right	Type of Contact Block	Mounting Location Left/Right	Type of Contact Block	Mounting Location Left/Right	Type of Contact Block	Mounting Location Left/Right
O O X	NO	L or R	-	-	NO	L or R	NO	L or R	NO	Left
O X O	-	-	NC	L or R	NC	L or R	NC	Right	-	-
X O O	NC	L or R	NO	L or R	-	-	NC	Left	NO	Right
X X O	-	-	-	-	-	-	-	-	NC	Left
O X X	-	-	-	-	-	-	-	-	NC	Right

In the product number of a selector switch, the cam is identified by the fifth figure after the "104".
Example: CR104PSG2 1 B, the cam number is 1.

Publications and Reference: See Section 15 for a complete list of additional product-related publications



Heavy-Duty 30.5 mm Watertight/Oiltight Selector Switches

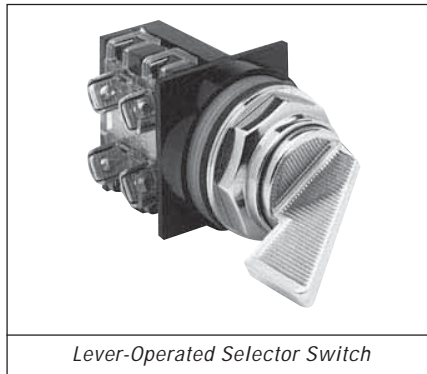
CR104P

Lever Operated
Non-Illuminated
600 Volts Max. AC/DC
10 Amperes Continuous

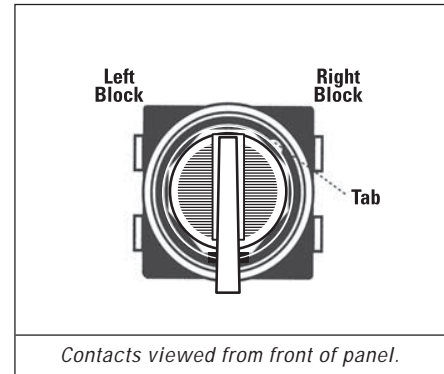
Units are supplied factory-assembled when ordered with contact block.

Product Number and price do not include nameplate. All nameplates must be ordered as a separate item.

Suitable for use in NEMA Type 1, 3, 3R, 4, 4X, 12, and 13 applications, when mounted in enclosures rated for those same applications. For some NEMA Type 4X applications, protective caps will improve corrosion resistance.



Lever-Operated Selector Switch



Contacts viewed from front of panel.

3-Position Chrome¹ - Spring Return C " R GO-10P1

Release Type	3 Position Cam Code	Contact Configuration	Product Number ¹	List Price
Spring Return C " R	4	None	CR104PSM84	\$34.20
Spring Return C " R	4	1NO-1NC	CR104PSM84A91	\$52.20
Spring Return C " R	4	2NO-2NC	CR104PSM84A92	\$70.20
Spring Return C " R	2	None	CR104PSM82	\$34.20
Spring Return C " R	2	1NO-1NC	CR104PSM82A91	\$52.20
Spring Return C " R	2	2NO-2NC	CR104PSM82A92	\$70.20
Spring Return C " R	3	None	CR104PSM83	\$34.20
Spring Return C " R	3	1NO-1NC	CR104PSM83A91	\$52.20
Spring Return C " R	3	2NO-2NC	CR104PSM83A92	\$70.20
Spring Return C " R	5	None	CR104PSM85	\$34.20
Spring Return C " R	5	2NO-2NC	CR104PSM85A92	\$70.20
Spring Return C " R	6	None	CR104PSM86	\$34.20
Spring Return C " R	6	2NO-2NC	CR104PSM86A92	\$70.20

3-Position Chrome¹ - Spring Return L » C " R GO-10P1

Release Type	3 Position Cam Code	Contact Configuration	Product Number ¹	List Price
Spring Return L » C " R	4	None	CR104PSM94	\$34.20
Spring Return L » C " R	4	1NO-1NC	CR104PSM94A91	\$52.20
Spring Return L » C " R	4	2NO-2NC	CR104PSM94A92	\$70.20
Spring Return L » C " R	2	None	CR104PSM92	\$34.20
Spring Return L » C " R	2	1NO-1NC	CR104PSM92A91	\$52.20
Spring Return L » C " R	2	2NO-2NC	CR104PSM92A92	\$70.20
Spring Return L » C " R	3	None	CR104PSM93	\$34.20
Spring Return L » C " R	3	1NO-1NC	CR104PSM93A91	\$52.20
Spring Return L » C " R	3	2NO-2NC	CR104PSM93A92	\$70.20
Spring Return L » C " R	5	None	CR104PSM95	\$34.20
Spring Return L » C " R	5	2NO-2NC	CR104PSM95A92	\$70.20
Spring Return L » C " R	6	None	CR104PSM96	\$34.20
Spring Return L » C " R	6	2NO-2NC	CR104PSM96A92	\$70.20

¹To order black wing lever, replace "A" in Product Number with "B" before 91 or 92 contact digits. Example: the Product Number for a maintained, 1NO-1NC operator with black wing lever is CR104PSM32B91.

3-Position Selector Switches - Non-Illuminated

Operator Position	Cam #4		Cam #2		Cam #3		Cam #5		Cam #6		
	Type of Contact Block	Mounting Location Left/Right	Type of Contact Block	Mounting Location Left/Right	Type of Contact Block	Mounting Location Left/Right	Type of Contact Block	Mounting Location Left/Right	Type of Contact Block	Mounting Location Left/Right	
O	O	X	NO	L or R	-	-	NO	L or R	NO	L or R	
O	X	O	-	-	NC	L or R	NC	L or R	NC	Right	
X	O	O	NC	L or R	NO	L or R	-	-	NC	Left	
X	X	O	-	-	-	-	-	-	-	NC	Left
O	X	X	-	-	-	-	-	-	-	NC	Right

In the product number of a selector switch, the cam is identified by the fifth figure after the "104". Example: CR104PSG2 1 B, the cam number is 1.

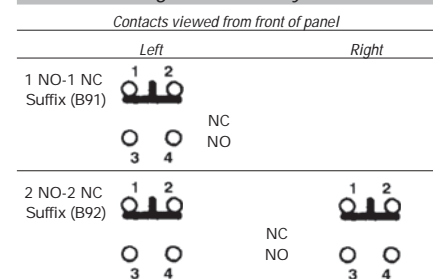
4-Position Chrome¹ GO-10P1

Release Type	4 Position Cam Code	Contact Configuration	Product Number ¹	List Price
Maintained	7	None	CR104PSM47	\$22.20
Maintained	9	2NO-2NC	CR104PSM47A92	\$58.20

4-Position Selector Switch - Non-Illuminated

Operator Position	Cam #7				Type of Contact Block	Mounting Location Left-Right
	Type of Contact Block	Mounting Location Left-Right	Type of Contact Block	Mounting Location Left-Right		
X	O	O	O	NC	Left	
O	O	X	O	NO	Left	
O	O	O	X	NC	Right	
O	X	O	O	NO	Right	

Schematic Diagrams - Factory Forms



Numbers and letters are molded into blocks at terminals.



Nameplates: See pages 7-40 to 7-41
Technical Data: See pages 7-56 to 7-57
Drilling Plan and Dimensions: See page 7-57

Product Number Selection Instructions: See page 7-2